

FISH Compression Fittings



Advantages at a glance

- ✓ Perfect water tightness
- ✓ High UV and temperature resistance
- ✓ Compatibility with metric pipe
- ✓ No requirements to remove the end caps during installation
- ✓ Tested to meet potable water standards



Applications

Ideally suited for higher demanding irrigation applications like public parks, sports fields, golf courses and high-end agriculture-based irrigation. It is also suited for industrial application.

Materials	
Product	Material
1. Body	Polypropylene
2. O-Ring	NBR
3. Holder	Polypropylene
4. Clinching ring	Acetyl
5. Nut	Polypropylene

Fittings specifications

- Pressure range: 16 bar for the complete range from d20 to d110 mm
- Temperature range: -10°C to 45 °C
- Attention: Pressure rates refer to operating temperatures at 20°C. Higher temperatures and aggressive flow media reduce pressure load. Pressure load capacity must be determined in consideration with safety demands of the respective applications and calculated in accordance.
- Compliance to ISO 17885

*Standards & Approval:



*Standards and approvals certification available upon request.

FISH Compression Fittings

MALE THREADED ADAPTOR (MTA) - BSPT

Colour: Black | Water application | PN 16



MALE THREADED ADAPTOR (MTA) - BSPT

Product Code	d x t [mm; inch]	D [mm]	L [mm]	Approx. Wt. gm [pc]	pcs / bag [qty]	pcs / box [qty]
07960400050	20 x 1/2"	46	72	38	500	400
07960400051	20 x 3/4"	46	73	39	500	400
07960400052	20 x 1"	46	78	42	500	400
07960400053	25 x 1/2"	54	81	59	300	250
07960400054	25 x 3/4"	54	81	59	300	250
07960400055	25 x 1"	54	86	63	300	250
07960400056	32 x 1/2"	64	93	86	200	160
07960400057	32 x 3/4"	64	95	87	200	160
07960400058	32 x 1"	64	100	90	200	160
07960400059	32 x 1 1/4"	64	105	94	200	160
07960400060	40 x 3/4"	77	112	150	120	100
07960400061	40 x 1"	77	117	155	120	100
07960400062	40 x 1 1/4"	77	121	156	120	100
07960400063	40 x 1 1/2"	77	125	163	120	100
07960400064	50 x 1 1/4"	92	128	237	60	50
07960400065	50 x 1 1/2"	92	132	240	60	50
07960400066	50 x 2"	92	137	244	60	50
07960400067	63 x 1 1/2"	111	143	346	40	32
07960400068	63 x 2"	111	149	347	40	32
07960100107	75 x 2"	125	155	500	30	25
07960100108	75 x 2 1/2"	125	158	513	30	25
07960100109	90 x 3"	148	170	799	20	16
07960100110	110 x 4"	175	175	1292	12	8

FEMALE THREADED ADAPTOR (FTA) - BSPT

Colour: Black | Water application | PN 16



FEMALE THREADED ADAPTOR (FTA) - BSPT

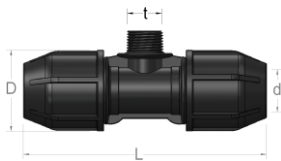
Product Code	d x t [mm; inch]	D [mm]	L [mm]	Approx. Wt. gm [pc]	pcs / bag [qty]	pcs / box [qty]
07960400069	20 x 1/2"	46	72	38	500	400
07960400070	20 x 3/4"	46	77	39	500	400
07960400072	25 x 1/2"	54	80	59	300	250
07960400073	25 x 3/4"	54	82	59	300	250
07960400071	25 x 1"	54	89	63	300	250
07960400076	32 x 3/4"	64	93	87	200	160
07960400074	32 x 1"	64	95	90	200	160
07960400075	32 x 1 1/4"	64	99	94	200	160
07960400077	40 x 1"	77	105	155	120	100
07960400079	40 x 1 1/4"	77	108	156	120	100
07960400078	40 x 1 1/2"	77	113	163	100	80
07960400080	50 x 1 1/2"	92	129	240	60	50
07960400081	50 x 2"	92	132	244	60	50
07960400082	63 x 1 1/2"	111	151	346	40	32
07960400083	63 x 2"	111	158	347	40	32
07960100171	75 x 2"	125	175	500	30	25
07960100172	75 x 2 1/2"	125	180	513	30	25
07960100173	90 x 3"	148	195	799	20	16
07960100174	110 x 4"	175	208	1292	12	8

*Stainless steel ring & reinforced cap are supplied for size of 50mm – 110mm

FISH Compression Fittings

MALE TEE (MT) - BSPT

Colour: Black | Water application | PN 16

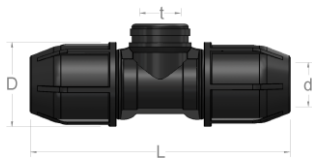


MALE TEE (MT) - BSPT

Product Code	d x t [mm; inch]	D [mm]	L [mm]	Approx. Wt. gm [pc]	pcs / bag [qty]	pcs / box [qty]
07960400115	20 x 1/2"	46	130	79	200	160
07960400116	20 x 3/4"	46	130	80	200	160
07960400118	25 x 1/2"	54	143	117	150	100
07960400119	25 x 3/4"	54	143	118	150	100
07960400117	25 x 1"	54	143	124	150	100
07960400121	32 x 3/4"	64	170	184	80	64
07960400120	32 x 1"	64	170	185	80	64
07960400122	40 x 1"	77	192	335	40	32
07960400123	40 x 1 1/4"	77	192	335	40	32
07960400125	50 x 1 1/4"	92	232	488	30	24
07960400124	50 x 1 1/2"	92	232	494	30	24
07960400126	63 x 2"	111	260	761	20	15
07960100141	75 x 2"	125	290	1073	15	10
07960100142	75 x 2 1/2"	125	290	1168	15	10
07960100143	90 x 3"	148	315	1824	8	6
07960100144	110 x 4"	175	381	2808	5	3

FEMALE TEE (FT) - BSPT

Colour: Black | Water application | PN 16



FEMALE TEE (MT) - BSPT

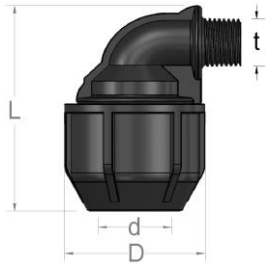
Product Code	d x t [mm; inch]	D [mm]	L [mm]	Approx. Wt. gm [pc]	pcs / bag [qty]	pcs / box [qty]
07960400127	20 x 1/2"	46	130	79	200	160
07960400128	20 x 3/4"	46	130	80	200	160
07960400130	25 x 1/2"	54	143	117	150	100
07960400131	25 x 3/4"	54	143	118	150	100
07960400129	25 x 1"	54	143	124	150	100
07960400134	32 x 3/4"	64	170	184	80	64
07960400132	32 x 1"	64	170	185	80	64
07960400133	32 x 1 1/4"	64	170	210	80	64
07960400135	40 x 1"	77	192	335	40	32
07960400137	40 x 1 1/4"	77	192	335	40	32
07960400136	40 x 1 1/2"	77	192	340	40	32
07960400138	50 x 1 1/2"	92	232	494	30	24
07960400139	50 x 2"	92	232	518	30	24
07960400140	63 x 1 1/2"	111	260	791	20	15
07960400141	63 x 2"	111	260	761	20	15
07960100210	75 x 2 1/2"	125	290	1168	15	10
07960100211	90 x 3"	148	315	1824	8	6
07960100212	110 x 4"	175	381	2808	5	3

*Stainless steel ring & reinforced cap are supplied for size of 50mm – 110mm

FISH Compression Fittings

MALE BEND 90° (MB) - BSPT

Colour: Black | Water application | PN 16

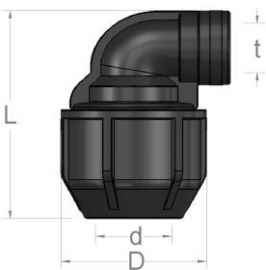


MALE BEND 90° (MB) - BSPT

Product Code	d x t [mm; inch]	D [mm]	L [mm]	Approx. Wt. gm [pc]	pcs / bag [qty]	pcs / box [qty]
07960400084	20 x 1/2"	46	91	42	400	300
07960400085	20 x 3/4"	46	93	45	400	300
07960400087	25 x 1/2"	54	97	65	250	200
07960400088	25 x 3/4"	54	99	68	250	200
07960400086	25 x 1"	54	101	76	250	200
07960400090	32 x 3/4"	64	107	97	150	120
07960400089	32 x 1"	64	109	107	150	120
07960400091	40 x 1"	77	128	164	80	64
07960400093	40 x 1 1/4"	77	132	186	80	64
07960400092	40 x 1 1/2"	77	137	191	80	64
07960400095	50 x 1 1/4"	92	155	285	50	40
07960400094	50 x 1 1/2"	92	156	285	50	40
07960400096	50 x 2"	92	158	308	50	40
07960400097	63 x 2"	111	170	410	30	24
07960100125	75 x 2"	125	182	619	24	16
07960100126	75 x 2 1/2"	125	189	616	24	16
07960100127	90 x 3"	148	210	997	12	10
07960100128	110 x 4"	175	255	1696	8	6

FEMALE BEND 90° (FB) - BSPT

Colour: Black | Water application | PN 16



FEMALE BEND 90° (FB) - BSPT

Product Code	d x t [mm; inch]	D [mm]	L [mm]	Approx. Wt. gm [pc]	pcs / bag [qty]	pcs / box [qty]
07960400098	20 x 1/2"	46	91	48	400	300
07960400099	20 x 3/4"	46	95	52	400	300
07960400101	25 x 1/2"	54	98	67	250	200
07960400102	25 x 3/4"	54	98	71	250	200
07960400100	25 x 1"	54	100	78	250	200
07960400105	32 x 1/2"	64	108	108	150	120
07960400106	32 x 3/4"	64	110	110	150	120
07960400103	32 x 1"	64	112	113	150	120
07960400104	32 x 1 1/4"	64	115	117	150	120
07960400107	40 x 1"	77	130	178	80	64
07960400109	40 x 1 1/4"	77	133	187	80	64
07960400108	40 x 1 1/2"	77	137	284	80	64
07960400111	50 x 1 1/4"	92	142	443	50	40
07960400110	50 x 1 1/2"	92	148	446	50	40
07960400112	50 x 2"	92	159	452	50	40
07960400113	63 x 1 1/2"	111	178	438	30	24
07960400114	63 x 2"	111	185	443	30	24
07960100192	75 x 2 1/2"	125	194	641	24	16
07960100193	90 x 3"	148	215	1060	12	10
07960100194	110 x 4"	175	270	1799	8	6

*Stainless steel ring & reinforced cap are supplied for size of 50mm – 110mm

FISH Compression Fittings

STRAIGHT COUPLER (SC)

Colour: Black | Water application | PN 16



STRAIGHT COUPLER (SC)							
Product Code	d [mm]	D [mm]	L [mm]	Approx. Wt. gm [pc]	pcs / bag [qty]	pcs / box [qty]	
07960400007	20	46	98	65	300	250	
07960400008	25	54	111	102	180	150	
07960400009	32	64	128	155	120	100	
07960400010	40	77	155	274	60	50	
07960400011	50	92	178	417	40	32	
07960400012	63	111	208	610	30	20	
07960100256	75	125	224	886	20	14	
07960100257	90	148	250	1374	12	12	
07960100258	110	175	270	2206	8	5	

EQUAL BEND 90° (EB)

Colour: Black | Water application | PN 16



EQUAL BEND 90° (EB)							
Product Code	d [mm]	D [mm]	L [mm]	Approx. Wt. gm [pc]	pcs / bag [qty]	pcs / box [qty]	
07960400019	20	46	70	71	300	250	
07960400020	25	54	97	112	180	150	
07960400021	32	64	105	173	100	80	
07960400022	40	77	115	297	60	50	
07960400023	50	92	138	459	40	32	
07960400024	63	111	167	715	20	15	
07960100007	75	125	179	1008	18	12	
07960100008	90	148	215	1590	10	8	
07960100009	110	175	265	2523	6	4	

EQUAL TEE (ET)

Colour: Black | Water application | PN 16

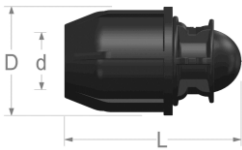


EQUAL TEE (ET)							
Product Code	d [mm]	D [mm]	L [mm]	Approx. Wt. gm [pc]	pcs / bag [qty]	pcs / box [qty]	
07960400013	20	46	130	106	180	150	
07960400014	25	54	145	164	120	100	
07960400015	32	64	170	253	60	50	
07960400016	40	77	198	440	40	32	
07960400017	50	92	230	667	25	20	
07960400018	63	111	275	1047	15	12	
07960100025	75	125	288	1473	10	8	
07960100026	90	148	315	2295	6	5	
07960100027	110	175	381	3592	4	3	

FISH Compression Fittings

END CAP (EC)

Colour: Black | Water application | PN 16



END CAP (EC)

Product Code	d [mm]	D [mm]	L [mm]	Approx. Wt. gm [pc]	pcs / bag [qty]	pcs / box [qty]
07960400001	20	46	98	36	500	400
07960400002	25	54	112	58	300	250
07960400003	32	64	128	85	200	160
07960400004	40	77	163	148	120	100
07960400005	50	92	175	232	60	50
07960400006	63	111	200	336	40	32
07960100016	75	125	225	493	30	25
07960100017	90	148	245	774	20	16
07960100018	110	175	250	1223	12	8

REDUCING COUPLER (RC)



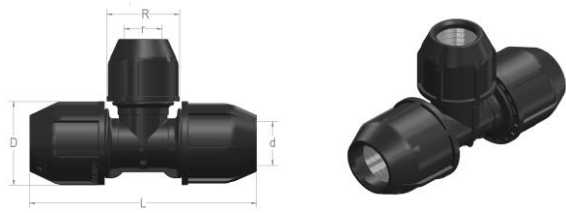
Colour: Black | Water application

REDUCING COUPLER (RC) Compression Fitting [PN12.5 & PN16]

Product Code	d x r [mm]	D [mm]	L [mm]	r [mm]	R [mm]	Approx. Wt. gm [pc]	pcs / bag [qty]	pcs / box [qty]
07960400025	25 X 20	54	100	20	46	84	200	200
07960400026	32 X 20	64	115	20	46	112	150	120
07960400038	32 X 25	64	118	25	54	130	150	120
07960400027	40 X 20	77	125	20	46	179	60	60
07960400028	40 X 25	77	132	25	54	193	60	60
07960400029	40 X 32	77	139	32	64	220	60	60
07960400030	50 X 20	92	145	20	46	261	50	50
07960400031	50 X 25	92	149	25	54	275	50	50
07960400032	50 X 32	92	153	32	64	296	50	50
07960400033	50 X 40	92	158	40	77	349	40	32
07960400034	63 X 25	111	160	25	54	384	30	30
07960400035	63 X 32	111	166	32	64	407	30	24
07960400036	63 X 40	111	180	40	77	456	30	24
07960400037	63 X 50	111	192	50	92	518	30	24
07960100227	75 X 40	125	200	40	77	608	24	16
07960100228	75 X 50	125	210	50	92	675	24	16
07960100229	75 X 63	125	218	63	111	753	24	16
07960100230	90 X 63	148	230	63	111	1036	15	12
07960100231	90 X 75	148	239	75	125	1150	15	12
07960103681	110 X 63	175	250	63	111	1750	10	6
07960100232	110 X 90	175	260	90	148	1826	9	6

FISH Compression Fittings

REDUCING TEE (RT)

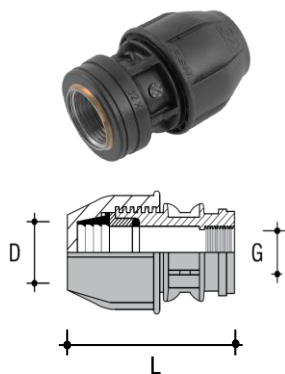


Colour: Black | Water application

REDUCING TEE (RT) Compression Fitting [PN16]									
Product Code	d x r [mm]	D [mm]	L [mm]	r [mm]	R [mm]	Approx. Wt. gm [pc]	pcs / bag [qty]	pcs / box [qty]	
07960400039	25 x 20	54	145	20	46	145	120	100	
07960400619	25 x 32	54	145	32	64	205	80	64	
07960400040	32 x 20	64	170	20	46	207	80	64	
07960400041	32 x 25	64	170	25	54	222	80	64	
07960400042	40 x 25	77	198	25	54	374	40	32	
07960400043	40 x 32	77	198	32	64	395	40	32	
07960400044	50 x 25	92	230	25	54	528	30	24	
07960400045	50 x 32	92	230	32	64	550	30	24	
07960400046	50 x 40	92	230	40	77	592	25	20	
07960400047	63 x 32	111	275	32	64	829	20	15	
07960400048	63 x 40	111	275	40	77	869	20	15	
07960400049	63 x 50	111	275	50	92	921	15	12	
07960100244	75 x 40	125	288	40	77	1186	12	8	
07960100245	75 x 50	125	288	63	111	1232	12	8	
07960100246	75 x 63	125	288	50	77	1375	12	8	
07960100247	90 x 63	148	315	63	111	2025	8	6	
07960100248	90 x 75	148	315	75	125	2148	8	6	
07960103682	110 x 63	175	381	50	111	3150	6	4	
07960100249	110 x 90	175	381	90	148	3264	5	3	

FISH Compression Fittings

FEMALE BRASS THREADED ADAPTOR

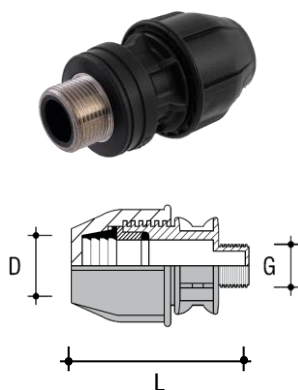


Colour: Black | Water application | PN 16

FEMALE BRASS THREADED ADAPTOR (FTA) - BSPT

Product Code	D x G [mm; inch]	L [mm]	Approx. Wt. gm [pc]	pcs / bag [qty]
07960400172	20 x 1/2"	74	40	500
07960400173	25 x 3/4"	84	61	300
07960400174	25 x 1"	91	65	300
07960400175	32 x 1"	97	92	200

MALE BRASS THREADED ADAPTOR

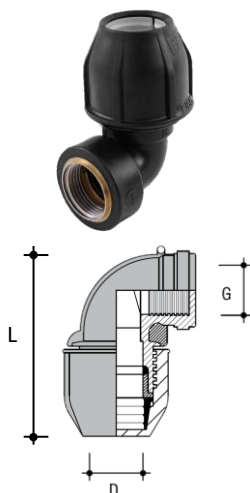


Colour: Black | Water application | PN 16

MALE BRASS THREADED ADAPTOR (MTA) - BSPT

Product Code	D x G [mm; inch]	L [mm]	Approx. Wt. gm [pc]	pcs / bag [qty]
07960400179	20 x 1/2"	89	42	500
07960400180	25 x 3/4"	98	63	300
07960400181	25 x 1"	103	67	300
07960400182	32 x 1"	110	93	200

FEMALE BRASS THREADED BEND 90°



Colour: Black | Water application | PN 16

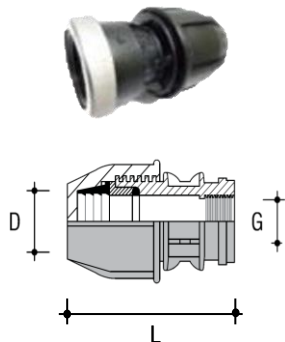
FEMALE BRASS THREADED BEND 90° (FB) - BSPT

Product Code	D x G [mm; inch]	L [mm]	Approx. Wt. gm [pc]	pcs / bag [qty]
07960400176	20 x 3/4"	97	60	400
07960400177	25 x 3/4"	100	79	250
07960400178	32 x 1"	114	121	150

FISH Compression Fittings

FEMALE THREADED ADAPTOR WITH STAINLESS STEEL REINFORCE CAP

Colour: Black | Water application | PN 16

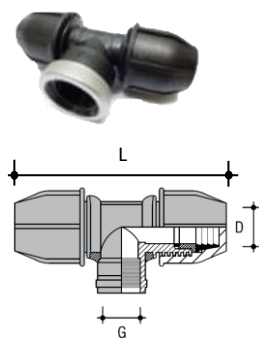


FEMALE THREADED ADAPTOR (FTA) - BSPT

Product Code	D x G [mm; inch]	L [mm]	Approx. Wt. gm [pc]	pcs / bag [qty]
07960400183	20 x 1/2"	69	42	500
07960400184	20 x 3/4"	74	43	500
07960400185	25 x 1/2"	80	63	300
07960400186	25 x 3/4"	82	63	300
07960400187	25 x 1"	90	67	300
07960400188	32 x 3/4"	93	91	200
07960400189	32 x 1"	93	94	200
07960400190	32 x 1 1/4"	99	98	200
07960400191	40 x 1"	110	159	120
07960400192	40 x 1 1/4"	113	160	120
07960400193	40 x 1 1/2"	118	167	100

FEMALE THREADED TEE WITH STAINLESS STEEL REINFORCE CAP

Colour: Black | Water application | PN 16



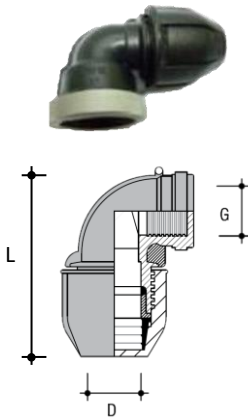
FEMALE TEE (MT) - BSPT

Product Code	d x t [mm; inch]	L [mm]	Approx. Wt. gm [pc]	pcs / bag [qty]
07960400213	20 x 1/2"	122	82	200
07960400214	20 x 3/4"	122	83	200
07960400215	25 x 1/2"	145	120	150
07960400216	25 x 3/4"	145	121	150
07960400217	25 x 1"	145	127	150
07960400507	32 x 3/4"	163	187	80
07960400219	32 x 1"	163	188	80
07960400220	32 x 1 1/4"	163	213	80
07960400221	40 x 1"	204	338	40
07960400222	40 x 1 1/4"	204	338	40
07960400223	40 x 1 1/2"	204	348	40

FISH Compression Fittings

FEMALE THREADED BEND 90° WITH STAINLESS STEEL REINFORCE CAP

Colour: Black | Water application | PN 16



FEMALE BEND 90° (FB) - BSPT

Product Code	d x t [mm; inch]	L [mm]	Approx. Wt. gm [pc]	pcs / bag [qty]
07960400198	20 x 1/2"	79	50	400
07960400199	20 x 3/4"	82	55	400
07960400200	25 x 1/2"	93	70	250
07960400201	25 x 3/4"	95	74	250
07960400202	25 x 1"	100	81	250
07960400203	32 x 1/2"	107	111	150
07960400204	32 x 3/4"	107	113	150
07960400205	32 x 1"	112	116	150
07960400206	32 x 1 1/4"	115	120	150
07960400207	40 x 1"	127	180	80
07960400208	40 x 1 1/4"	133	190	80
07960400209	40 x 1 1/2"	133	287	80

FLANGE ADAPTOR



Colour: Black | Water application | PN 10

Product Code	D [mm]	d [mm]	Bolts (Nos)	Bolt size	Approx. Wt. gm [pc]	pcs / bag [qty]	pcs / box [qty]
07960100067	63	50	4	M16	684	30	20
07960100068	90	80	8	M16	1171	15	9
07960100069	110	100	8	M16	1748	10	6

POP-UP EQUAL BEND



Colour: Black | Water application | PN 10

Product Code	d x t [mm; inch]	Approx. Wt. gm [pc]	pcs / bag [qty]	pcs / box [qty]
07960101291	20 x 1/2"	72	300	200
07960101292	25 x 1/2"	114	180	120
07960101293	32 x 3/4"	169	100	80

WALL PLATE ELBOW

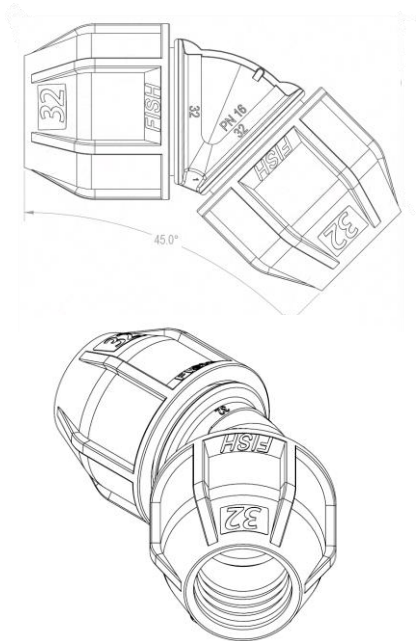


Colour: Black | Water application | PN 10

Product Code	d x t [mm; inch]	Approx. Wt. gm [pc]	pcs / bag [qty]	pcs / box [qty]
07960101483	25 x 3/4"	85	200	150

FISH Compression Fittings

EQUAL BEND 45° (EB)

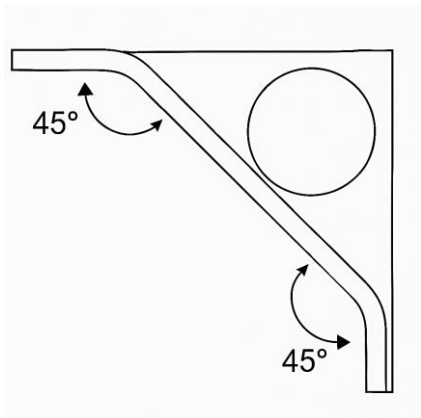


Flow better. Fit smarter.

FISH® compression fitting Equal Bend 45° - Designed for less erosion in high velocity pipeline, reduced flow resistance.

Use of two combined 45° bend to create a 90° transition fitting provides efficient directional changes, reduces pressure drops, and prevents unnecessary stress on your system.

- Available in 2 popular sizes; 25mm and 32mm
- Leakage free connection, tested to 1.5 times working pressure
- FISH quality and reliability that you come to expect from FISH compression fittings



Improved Fluid Dynamics. Space Optimization.

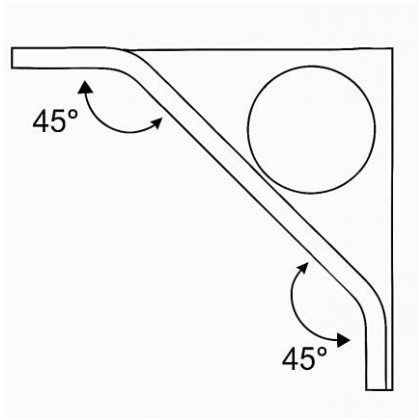
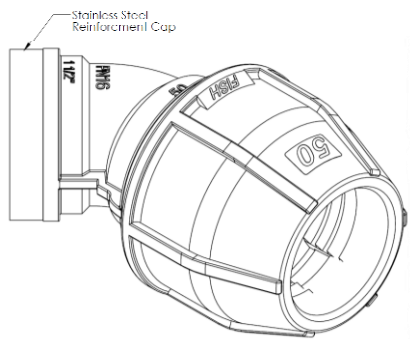
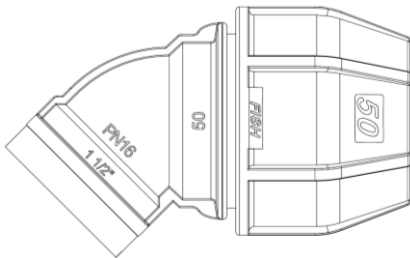
The Equal Bend 45° fitting allows for smoother transitions compared to a 90° bend fitting, minimizing turbulence and reducing pressure loss in the piping system. With the better flow characteristics, it can enhance the overall efficiency. The 45° bend fitting can be used in tighter space, allowing for more flexible design layouts.

Equal Bend 45° Compression Fitting [PN16]

Product Code	Size [mm]	Length [mm]	Nut size [mm]	pcs / bag [qty]	pcs / box [qty]
07960400505	25 x 25	120.3	54.0	180	150
07960400506	32 x 32	136.3	63.8	100	80

FISH Compression Fittings

FEMALE BEND 45°



Flow better. Fit smarter.

FISH® compression fitting Female Bend 45° – Designed for less erosion in high velocity pipeline, reduced flow resistance.

Use of two combined 45° bend to create a 90° transition fitting provides efficient directional changes, reduces pressure drops, and prevents unnecessary stress on your system.

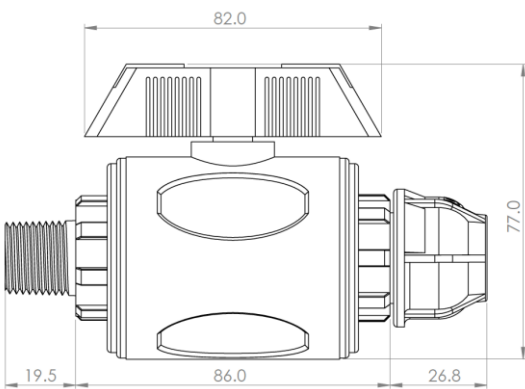
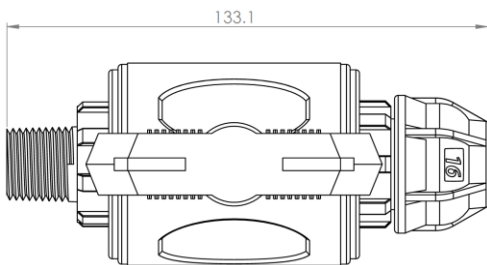
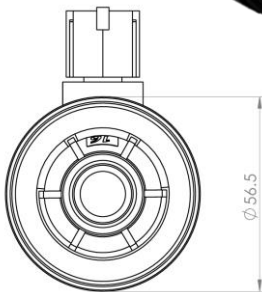
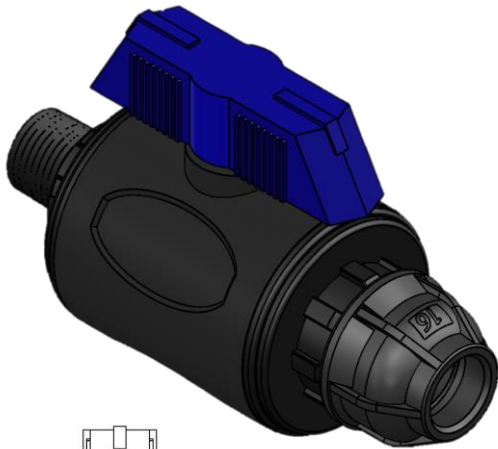
- Available in 50mm x 1 1/2"
- Leakage free connection, tested to 1.5 times working pressure
- FISH quality and reliability that you come to expect from FISH compression fittings

Improved Fluid Dynamics. Space Optimization.

The Equal Bend 45° fitting allows for smoother transitions compared to a 90° bend fitting, minimizing turbulence and reducing pressure loss in the piping system. With the better flow characteristics, it can enhance the overall efficiency. The 45° bend fitting can be used in tighter space, allowing for more flexible design layouts.

Female Bend 45° Compression Fitting [PN16]						
Product Code	Size [mm]	Length [mm]	Nut size [mm]	Thread End OD (mm)	pcs / bag [qty]	pcs / box [qty]
07960300527	50 x 1 1/2"	162.7	92.0	62.8	50	40

FISH Compression Fittings
 Compression Joint & BSP Thread



Nylon Ball Valve with Compression Joint & BSP Thread

The ball valve offers a smooth open and close action to allow or stop the flow of water. The option of a compression joint and male BSP thread version eliminates the need for additional fittings. It is manufactured from materials that meet potable water standards that are also non-corrosive and UV stabilised, making them suitable for use in harsh sunlight. It has an interchangeable handles to comply with international colour coding for fluid: blue - general or lilac - grey water.

Specifications

- Maximum operating temperature of 60°C
- Pressure rating PN16

Male / Compression Joint Variation

- Reduces the amount of fittings use in an installation.

Potable Water Standard Materials

- Manufactured from materials that meet potable water standards.

UV Stabilised

- Will continue to perform, even in harsh sunlight conditions.

Long BSP Threads

- Better engagement with opposing threads.

Corrosion Resistant

- Constructed from non-corrosive materials.

Nylon Ball Valve with Compression Joint & BSP Thread

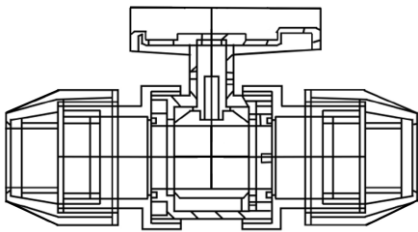
Product Code	Part Name	BSP Thread	Size (mm)	Pressure Rating	pcs / box [qty]
07960103675	GMCBV15	1/2"	16	PN16	100

FISH Compression Ends Ball Valves



Advantages at a glance

- ✓ Quick & smooth on/off response
- ✓ Versatile – suitable in various plumbing applications
- ✓ Minimal maintenance requirements
- ✓ Easy installation
- ✓ Tested to 1.5 times working pressure



Materials	
Product	Material
Compression Ball Valve	Polypropylene

FISH Polypropylene Compression Ends Ball Valves - designed for durability, reliability, and ease of installation, provide a shut off solution for many inline HDPE pipe applications. They can be used for both PN10, PN12.5 and PN16 pipes and provide maintenance free connection and flow control. Available in 20mm, 25mm, and 32mm sizes, these valves offer a secure, leak-proof solution for irrigation, water transfer applications where installing an inline valve in a HDPE pipe is the most convenient solution. Made from high-quality polypropylene, they are resistant to corrosion, chemicals, and UV exposure, ensuring long-lasting performance even in challenging environments. The compression end design allows for quick and tool-free installation, making them the perfect choice for both professional plumbers and DIY projects.

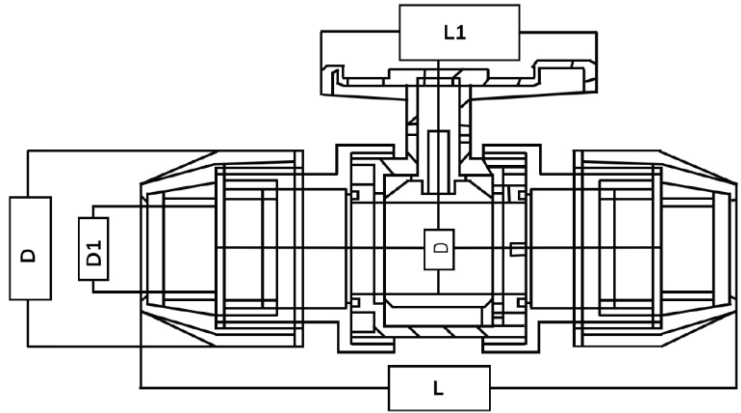
Specification

Material	Polypropylene
Body colour	Black
Handle colour	Blue
Joint type	Compression ends
Pressure rating	16 bar @ 20°C
Surge pressure	max 1.5 times
Feature	Resistant to many inorganic chemicals
Packaging	Fittings are bagged
Marking and labeling	To ensure traceability, all fittings are permanently marked with identification during the production process. <ul style="list-style-type: none"> • Brand name • Material and designation • Dimensions

FISH Compression Ends Ball Valves

PP Compression End Ball Valves for inline HDPE pipe

Material: PP | Colour: Black | Water application | PN16



Compression Ends Ball Valves

Product Code	Compression Ends [mm]	Ball Size [inch]	L [mm]	L1 [mm]	D [mm]	D1 [mm]	Pcs/Box [qty]
27966000001	20	1/2"	180	76	56	26	130
27966000002	25	3/4"	200	87	65	33	95
27966000003	32	1"	238	102	80	41	55

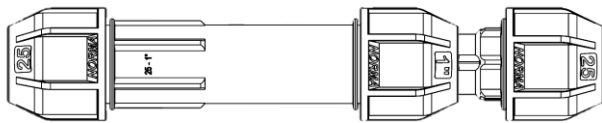
Other sizes are available upon request.

FISH Telescopic Fittings



Advantages at a glance

- ✓ No additional components required for fixing the pipe
- ✓ No need to dig as far to perform a repair job
- ✓ Easy repair of damage pipe sections
- ✓ UV stabilized to perform even in harsh sunny conditions
- ✓ Speed up the process of repairing a broken pipe



Materials	
Parts	Material
Nut	Polypropylene
Bodies	Polypropylene
Clinching Ring	Acetal (POM)
O-Rings	NBR

Description

FISH Compression fittings are made of polypropylene with telescopic function for the repair or replacement of for high- and-low density polyethylene tubing, diameters 25 to 50 mm. Maximum service pressure: PN 12.5. Does not include hot water application. These products are not certified as compliant with international sanitary regulations for transport of potable water and liquid foods.

Fittings specifications

Specification

Material	Polypropylene
Body colour	Black
Nut	Black
Joint type	Compression ends
Pressure rating	12.5 bar @ 20°C
Surge pressure	max 1.5 times
Feature	Compression fitting with telescopic adjustment of body length
Packaging	Fittings are bagged
Marking and labeling	<p>To ensure traceability, all fittings are permanently marked with identification during the production process.</p> <ul style="list-style-type: none"> • Brand name • Material and designation • Dimensions

FISH Telescopic Fittings

TELESCOPIC FITTINGS

Colour: Black, Blue | Water application | PN 12.5



TELESCOPIC STRAIGHT COUPLER				
Product Code	d x D [mm]	Cut area [mm]	Max. insertion depth [mm]	Std packing* [qty]
07960200685	25 x 25	265	65	5
07960200686	32 x 32	315	70	3
07960200687	40 x 40	350	80	2
07960200688	50 x 50	390	90	2

Colour: Black, Blue | Water application | PN 12.5



TELESCOPIC MALE THREADED ADAPTOR				
Product Code	d x D [mm / inch]	Cut area [mm]	Max. insertion depth [mm]	Std packing* [qty]
07960200690	25 x 1"	265	65	5
07960200691	32 x 1 1/4"	315	70	3
07960200692	40 x 1 1/2"	350	80	2
07960200693	50 x 2"	390	90	2

Colour: Black, Blue | Water application | PN 12.5



TELESCOPIC EQUAL TEE				
Product Code	d [mm]	Cut area [mm]	Max. insertion depth [mm]	Std packing* [qty]
07960200695	25 x 25 x 25	265	65	2
07960200696	32 x 32 x 32	315	70	2
07960200697	40 x 40 x 40	350	80	1
07960200698	50 x 50 x 50	390	90	1

Colour: Black, Blue | Water application | PN 12.5



TELESCOPIC MALE THREADED TEE				
Product Code	d x D [mm / inch]	Cut area [mm]	Max. insertion depth [mm]	Std packing* [qty]
07960200700	25 x 1" x 25	265	65	2
07960200701	32 x 1 1/4" x 32	315	70	2
07960200702	40 x 1 1/2" x 40	350	80	1
07960200703	50 x 2"	390	90	1