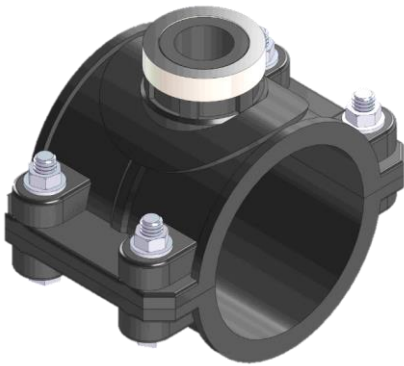
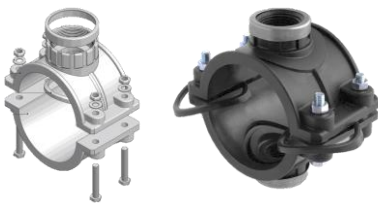


# FISH Clamp Saddle



## Advantages at a glance

- ✓ Robust design and weathering protection
- ✓ Outstanding hydraulic performance
- ✓ Perfect adherence to pipe
- ✓ Enhanced durability with reinforcement ring
- ✓ Products are tested to meet water standards.



Materials	
Product	Material
Body	Reinforced Polypropylene
Reinforced ring	Stainless Steel SS304
Gasket	Nitrile Butadiene Rubber

Clamp saddles from d32mm up to d225mm, threaded outlet from 1/2" to 2", products are provided with 2 or 4 bolts according to clamping diameter. Choice of zinc plated mild steel bolts and nuts, or SS 316 bolts and nuts depending on application scenario.

Application: suitable for water works



## Fittings specifications

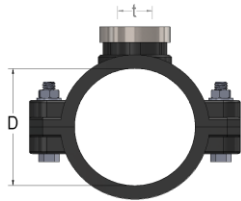
### Specification

Material	Polypropylene Homopolymer
Density	900 kg/m <sup>3</sup>
Tensile Strength at Yield	360 kg/cm <sup>2</sup>
Elongation at Yield	12%
Flexural Modulus	17500 kg/cm <sup>2</sup>
Colour	Black
Reinforcement ring	SS 304
Bolt and nuts	Stainless steel or galvanized
Gasket	Nitrile Butadiene Rubber
Pressure range	PN 16
Standard	Spesifikasi JKR No. 1 -95(BA)
Marking and labeling	<p>To ensure traceability, all fittings are permanently marked with identification during the production process.</p> <ul style="list-style-type: none"> <li>• Brand name</li> <li>• Dimensions</li> <li>• Material and designation</li> <li>• Pressure rating</li> </ul>

# FISH Clamp Saddle

PP Clamp Saddle for used with PE and other Metric polymer pipe

Material: PP | Colour: Black | Water application | Zinc plated mild steel

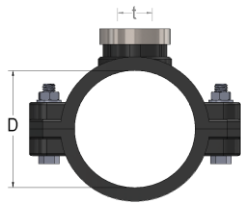


PP Clamp Saddle							
Zinc plated mild steel bolts and nuts	D [mm]	t [inch]	Bolt & Nut (Nos)	Gasket (Nos)	Approx. wt. gm [pc]	Bag [qty]	Box [qty]
07960102256	32	1/2"	2	1	200	240	160
07960102257	32	3/4"	2	1	200	240	160
07960102258	32	1"	2	1	200	240	160
07960102259	40	1/2"	2	1	200	180	150
07960102260	40	3/4"	2	1	200	180	150
07960102261	40	1"	2	1	210	180	150
07960102262	50	1/2"	2	1	210	150	150
07960102263	50	3/4"	2	1	210	150	150
07960102264	50	1"	2	1	210	150	150
07960102265	63	1/2"	4	1	250	100	80
07960102266	63	3/4"	4	1	250	100	80
07960102267	63	1"	4	1	250	100	80
07960102268	63	1 1/4"	4	1	260	100	80
07960102269	75	1/2"	4	1	340	60	50
07960102270	75	3/4"	4	1	340	60	50
07960102271	75	1"	4	1	340	60	50
07960102272	75	1 1/4"	4	1	350	60	50
07960102273	75	1 1/2"	4	1	380	60	50
07960102274	75	2"	4	1	380	60	50
07960102275	90	1/2"	4	1	390	40	30
07960102276	90	3/4"	4	1	390	40	30
07960102277	90	1"	4	1	390	40	30
07960102278	90	1 1/4"	4	1	410	40	30
07960102279	90	1 1/2"	4	1	430	40	30
07960102280	90	2"	4	1	440	40	30
07960102281	110	1/2"	4	1	500	40	30
07960102282	110	3/4"	4	1	500	40	30
07960102283	110	1"	4	1	500	40	30
07960102284	110	1 1/4"	4	1	510	40	30
07960102285	110	1 1/2"	4	1	510	40	30
07960102286	110	2"	4	1	530	40	30
07960102287	125	3/4"	4	1	650	30	24
07960102288	125	1"	4	1	690	30	24
07960102289	125	1 1/4"	4	1	690	30	24
07960102290	125	2"	4	1	695	30	24
07960102291	160	1/2"	6	1	660	20	15
07960102292	160	3/4"	6	1	1010	20	15
07960102293	160	1"	6	1	1010	20	15
07960102294	160	1 1/4"	6	1	1040	20	15
07960102295	160	1 1/2"	6	1	1000	20	15
07960102296	160	2"	6	1	1050	20	15
07960102297	180	3/4"	6	1	1660	15	10
07960102298	180	1"	6	1	1670	15	10
07960102299	180	1 1/4"	6	1	1670	15	10
07960102300	180	1 1/2"	6	1	1670	15	10
07960102301	180	2"	6	1	1690	15	10
07960102302	200	3/4"	6	1	1670	12	8
07960102303	200	1"	6	1	1690	12	8
07960102304	200	1 1/4"	6	1	1700	12	8
07960102305	200	1 1/2"	6	1	1700	12	8
07960102306	200	2"	6	1	1700	12	8
07960102307	225	3/4"	6	1	2340	10	6
07960102308	225	1"	6	1	2340	10	6
07960102309	225	1 1/4"	6	1	2380	10	6
07960102310	225	2"	6	1	2380	10	6

# FISH Clamp Saddle

PP Clamp Saddle for used with PE and other Metric polymer pipe

Material: PP | Colour: Black | Water application | SS 304

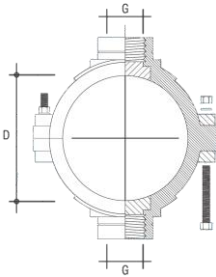


PP Clamp Saddle							
SS 304 bolts and nuts	D [mm]	t [inch]	Bolt & Nut (Nos)	Gasket (Nos)	Approx. wt. gm [pc]	Bag [Qty]	Box [qty]
07960102329	32	1/2"	2	1	200	240	160
07960102330	32	3/4"	2	1	200	240	160
07960102331	32	1"	2	1	200	240	160
07960102332	40	1/2"	2	1	200	180	150
07960102333	40	3/4"	2	1	200	180	150
07960102334	40	1"	2	1	210	180	150
07960102335	50	1/2"	2	1	210	150	150
07960102336	50	3/4"	2	1	210	150	150
07960102337	50	1"	2	1	210	150	150
07960102338	63	1/2"	4	1	250	100	80
07960102339	63	3/4"	4	1	250	100	80
07960102340	63	1"	4	1	250	100	80
07960102341	63	1 1/4"	4	1	260	100	80
07960102342	75	1/2"	4	1	340	60	50
07960102343	75	3/4"	4	1	340	60	50
07960102344	75	1"	4	1	340	60	50
07960102345	75	1 1/4"	4	1	350	60	50
07960102346	75	1 1/2"	4	1	380	60	50
07960102347	75	2"	4	1	380	60	50
07960102348	90	1/2"	4	1	390	40	30
07960102349	90	3/4"	4	1	390	40	30
07960102350	90	1"	4	1	390	40	30
07960102351	90	1 1/4"	4	1	410	40	30
07960102352	90	1 1/2"	4	1	430	40	30
07960102353	90	2"	4	1	440	40	30
07960102354	110	1/2"	4	1	500	40	30
07960102355	110	3/4"	4	1	500	40	30
07960102356	110	1"	4	1	500	40	30
07960102357	110	1 1/4"	4	1	510	40	30
07960102358	110	1 1/2"	4	1	510	40	30
07960102359	110	2"	4	1	530	40	30
07960102360	125	3/4"	4	1	650	30	24
07960102361	125	1"	4	1	690	30	24
07960102362	125	1 1/4"	4	1	690	30	24
07960102363	125	2"	4	1	695	30	24
07960102364	160	1/2"	6	1	660	20	15
07960102365	160	3/4"	6	1	1010	20	15
07960102366	160	1"	6	1	1010	20	15
07960102367	160	1 1/4"	6	1	1040	20	15
07960102368	160	1 1/2"	6	1	1000	20	15
07960102369	160	2"	6	1	1050	20	15
07960102370	180	3/4"	6	1	1660	15	10
07960102371	180	1"	6	1	1670	15	10
07960102372	180	1 1/4"	6	1	1670	15	10
07960102373	180	1 1/2"	6	1	1670	15	10
07960102374	180	2"	6	1	1690	15	10
07960102375	200	3/4"	6	1	1670	12	8
07960102376	200	1"	6	1	1690	12	8
07960102377	200	1 1/4"	6	1	1700	12	8
07960102378	200	1 1/2"	6	1	1700	12	8
07960102379	200	2"	6	1	1700	12	8
07960102380	225	3/4"	6	1	2340	10	6
07960102381	225	1"	6	1	2340	10	6
07960102382	225	1 1/4"	6	1	2380	10	6
07960102383	225	2"	6	1	2380	10	6

# FISH Clamp Saddle

PP Clamp Saddle for used with PE and other Metric polymer pipe

Material: PP | Colour: Black | Water application | Zinc plated mild steel



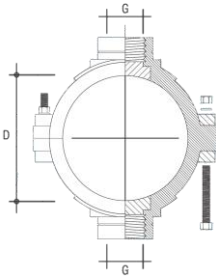
PP Clamp Saddle - Double Outlet

Zinc plated mild steel bolts and nuts	D [mm]	G1 [inch]	G2 [inch]	Bolt & Nut (Nos)	Gasket (Nos)	Approx. wt. gm [pc]	Bag [Qty]
07960102416	32	1/2"	1/2"	2	2	0.14	200
07960102417	32	3/4"	1/2"	2	2	0.15	200
07960102418	32	3/4"	3/4"	2	2	0.16	200
07960102419	32	1"	3/4"	2	2	0.17	200
07960102420	32	1"	1"	2	2	0.18	200
07960102421	40	1/2"	1/2"	2	2	0.17	200
07960102422	40	3/4"	1/2"	2	2	0.17	200
07960102423	40	3/4"	3/4"	2	2	0.17	150
07960102424	40	1"	3/4"	2	2	0.18	150
07960102425	40	1"	1"	2	2	0.18	150
07960102426	50	1/2"	1/2"	2	2	0.18	150
07960102427	50	3/4"	1/2"	2	2	0.18	150
07960102428	50	3/4"	3/4"	2	2	0.17	120
07960102429	50	1"	3/4"	4	4	0.18	120
07960102430	50	1"	1"	4	4	0.18	120
07960102431	63	1/2"	1/2"	4	4	0.20	120
07960102432	63	3/4"	1/2"	4	4	0.24	120
07960102433	63	3/4"	3/4"	4	4	0.28	80
07960102434	63	1"	1/2"	4	4	0.28	80
07960102435	63	1"	3/4"	4	4	0.28	80
07960102436	63	1"	1"	4	4	0.28	80
07960102437	63	1 1/4"	1/2"	4	4	0.30	80
07960102438	63	1 1/4"	3/4"	4	4	0.30	80
07960102439	63	1 1/4"	1"	4	4	0.30	80
07960102440	63	1 1/4"	1 1/4"	4	4	0.30	80
07960102441	75	1/2"	1/2"	4	4	0.32	80
07960102442	75	3/4"	1/2"	4	4	0.33	80
07960102443	75	3/4"	3/4"	4	4	0.34	50
07960102444	75	1"	1/2"	4	4	0.35	50
07960102445	75	1"	3/4"	4	4	0.36	50
07960102446	75	1"	1"	4	4	0.37	50
07960102447	75	1 1/4"	1/2"	4	4	0.39	50
07960102448	75	1 1/4"	3/4"	4	4	0.39	50
07960102449	75	1 1/4"	1"	4	4	0.39	50
07960102450	75	1 1/4"	1 1/4"	4	4	0.39	50
07960102451	75	1 1/2"	1/2"	4	4	0.39	50
07960102452	75	1 1/2"	3/4"	4	4	0.39	50
07960102453	75	1 1/2"	1"	4	4	0.39	50
07960102454	75	1 1/2"	1 1/4"	4	4	0.39	50
07960102455	75	1 1/2"	1 1/2"	4	4	0.39	50
07960102456	75	2"	1/2"	4	4	0.40	50
07960102457	75	2"	3/4"	4	4	0.40	50
07960102458	75	2"	1"	4	4	0.41	50
07960102459	75	2"	1 1/4"	4	4	0.41	50
07960102460	75	2"	1 1/2"	4	4	0.41	50
07960102461	75	2"	2"	4	4	0.45	50

# FISH Clamp Saddle

PP Clamp Saddle for used with PE and other Metric polymer pipe

Material: PP | Colour: Black | Water application | Zinc plated mild steel



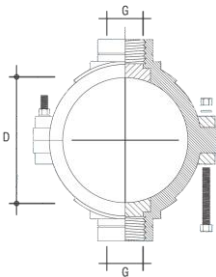
PP Clamp Saddle - Double Outlet

Zinc plated mild steel bolts and nuts	D [mm]	G1 [inch]	G2 [inch]	Bolt & Nut (Nos)	Gasket (Nos)	Approx. wt. gm [pc]	Bag [Qty]
07960102462	90	1/2"	1/2"	4	4	0.45	50
07960102463	90	3/4"	1/2"	4	4	0.45	50
07960102464	90	3/4"	3/4"	4	4	0.40	25
07960102465	90	1"	1/2"	4	4	0.41	25
07960102466	90	1"	3/4"	4	4	0.41	25
07960102467	90	1"	1"	4	4	0.41	25
07960102468	90	1 1/4"	1/2"	4	4	0.42	25
07960102469	90	1 1/4"	3/4"	4	4	0.42	25
07960102470	90	1 1/4"	1"	4	4	0.42	25
07960102471	90	1 1/4"	1 1/4"	4	4	0.43	25
07960102472	90	1 1/2"	1/2"	4	4	0.43	25
07960102473	90	1 1/2"	3/4"	4	4	0.43	25
07960102474	90	1 1/2"	1"	4	4	0.43	25
07960102475	90	1 1/2"	1 1/4"	4	4	0.43	25
07960102476	90	1 1/2"	1 1/2"	4	4	0.43	25
07960102477	90	2"	1/2"	4	4	0.44	25
07960102478	90	2"	3/4"	4	4	0.44	25
07960102479	90	2"	1"	4	4	0.45	25
07960102480	90	2"	1 1/4"	4	4	0.45	25
07960102481	90	2"	1 1/2"	4	4	0.46	25
07960102482	90	2"	2"	4	4	0.50	25
07960102483	110	1/2"	1/2"	4	4	0.50	25
07960102484	110	3/4"	1/2"	4	4	0.53	25
07960102485	110	3/4"	3/4"	4	4	0.54	24
07960102486	110	1"	1/2"	4	4	0.54	24
07960102487	110	1"	3/4"	4	4	0.53	24
07960102488	110	1"	1"	4	4	0.53	24
07960102489	110	1 1/4"	1/2"	4	4	0.54	24
07960102490	110	1 1/4"	3/4"	4	4	0.54	24
07960102491	110	1 1/4"	1"	4	4	0.55	24
07960102492	110	1 1/4"	1 1/4"	4	4	0.55	24
07960102493	110	1 1/2"	1/2"	4	4	0.55	24
07960102494	110	1 1/2"	3/4"	4	4	0.55	24
07960102495	110	1 1/2"	1"	4	4	0.55	24
07960102496	110	1 1/2"	1 1/4"	4	4	0.56	24
07960102497	110	1 1/2"	1 1/2"	4	4	0.56	24
07960102498	110	2"	1/2"	4	4	0.57	24
07960102499	110	2"	3/4"	4	4	0.57	24
07960102500	110	2"	1"	4	4	0.56	24
07960102501	110	2"	1 1/4"	4	4	0.57	24
07960102502	110	2"	1 1/2"	4	4	0.58	24
07960102503	110	2"	2"	4	4	0.65	24
07960102504	125	3/4"	3/4"	4	4	0.66	20
07960102505	125	1"	3/4"	4	4	0.68	20
07960102506	125	1"	1"	4	4	0.72	20
07960102507	125	1 1/4"	3/4"	4	4	0.73	20
07960102508	125	1 1/4"	1"	4	4	0.73	20
07960102509	125	1 1/4"	1 1/4"	4	4	0.75	20
07960102510	125	2"	3/4"	4	4	0.73	20
07960102511	125	2"	1"	4	4	0.73	20
07960102512	125	2"	1 1/4"	4	4	0.73	20
07960102513	125	2"	2"	4	4	0.73	20

# FISH Clamp Saddle

PP Clamp Saddle for used with PE and other Metric polymer pipe

Material: PP | Colour: Black | Water application | Zinc plated mild steel

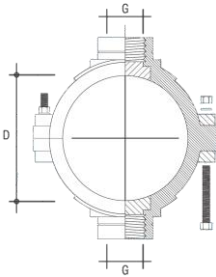


PP Clamp Saddle - Double Outlet							
Zinc plated mild steel bolts and nuts	D [mm]	G1 [inch]	G2 [inch]	Bolt & Nut (Nos)	Gasket (Nos)	Approx. wt. gm [pc]	Bag [Qty]
07960102514	160	1/2"	1/2"	4	4	1.05	20
07960102515	160	3/4"	1/2"	4	4	1.05	20
07960102516	160	3/4"	3/4"	4	4	1.07	12
07960102517	160	1"	1/2"	4	4	1.08	12
07960102518	160	1"	3/4"	4	4	1.09	12
07960102519	160	1"	1"	4	4	1.10	12
07960102520	160	1 1/4"	1/2"	4	4	1.10	12
07960102521	160	1 1/4"	3/4"	4	4	1.10	12
07960102522	160	1 1/4"	1"	4	4	1.11	12
07960102523	160	1 1/4"	1 1/4"	4	4	1.12	12
07960102524	160	1 1/2"	1/2"	4	4	1.10	12
07960102525	160	1 1/2"	3/4"	4	4	1.10	12
07960102526	160	1 1/2"	1"	4	4	1.10	12
07960102527	160	1 1/2"	1 1/4"	4	4	1.10	12
07960102528	160	1 1/2"	1 1/2"	4	4	1.10	12
07960102529	160	2"	1/2"	4	4	1.08	12
07960102530	160	2"	3/4"	4	4	1.09	12
07960102531	160	2"	1"	4	4	1.10	12
07960102532	160	2"	1 1/4"	4	4	1.12	12
07960102533	160	2"	1 1/2"	4	4	1.12	12
07960102534	160	2"	2"	4	4	1.10	12
07960102535	180	3/4"	3/4"	4	4	1.73	8
07960102536	180	1"	3/4"	4	4	1.69	8
07960102537	180	1"	1"	4	4	1.69	8
07960102538	180	1 1/4"	3/4"	4	4	1.69	8
07960102539	180	1 1/4"	1"	4	4	1.69	8
07960102540	180	1 1/4"	1 1/4"	4	4	1.69	8
07960102541	180	1 1/2"	3/4"	4	4	1.69	8
07960102542	180	1 1/2"	1"	4	4	1.69	8
07960102543	180	1 1/2"	1 1/4"	4	4	1.69	8
07960102544	180	1 1/2"	1 1/2"	4	4	1.69	8
07960102545	180	2"	3/4"	4	4	1.70	8
07960102546	180	2"	1"	4	4	1.73	8
07960102547	180	2"	1 1/4"	4	4	1.73	8
07960102548	180	2"	1 1/2"	4	4	1.75	8
07960102549	180	2"	2"	4	4	1.79	8

# FISH Clamp Saddle

PP Clamp Saddle for used with PE and other Metric polymer pipe

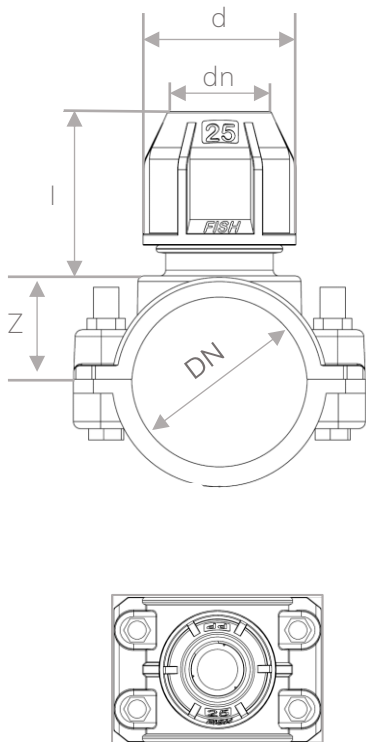
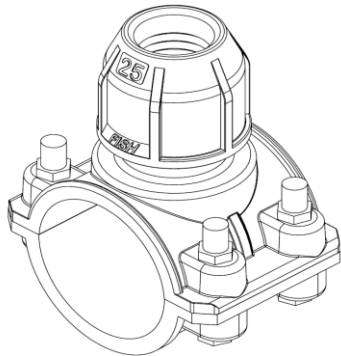
Material: PP | Colour: Black | Water application | Zinc plated mild steel



PP Clamp Saddle - Double Outlet							
Zinc plated mild steel bolts and nuts	D [mm]	G1 [inch]	G2 [inch]	Bolt & Nut (Nos)	Gasket (Nos)	Approx. wt. gm [pc]	Bag [Qty]
07960102550	200	1"	1"	4	4	1.73	8
07960102551	200	1 1/4"	1"	4	4	1.75	8
07960102552	200	1 1/4"	1 1/4"	4	4	1.75	8
07960102553	200	1 1/2"	1"	4	4	1.75	8
07960102554	200	1 1/2"	1 1/4"	4	4	1.75	8
07960102555	200	1 1/2"	1 1/2"	4	4	1.75	8
07960102556	200	2"	1"	4	4	1.78	8
07960102557	200	2"	1 1/4"	4	4	1.78	8
07960102558	200	2"	1 1/2"	4	4	1.78	8
07960102559	200	2"	2"	4	4	1.78	8
07960102560	225	3/4"	3/4"	4	4	2.23	6
07960102561	225	1"	3/4"	4	4	2.30	6
07960102562	225	1"	1"	4	4	2.44	6
07960102563	225	1 1/4"	3/4"	4	4	2.48	6
07960102564	225	1 1/4"	1"	4	4	2.45	6
07960102565	225	1 1/4"	1 1/4"	4	4	2.45	6
07960102566	225	2"	3/4"	4	4	2.23	6
07960102567	225	2"	1"	4	4	2.34	6
07960102568	225	2"	1 1/4"	4	4	2.20	6
07960102569	225	2"	2"	4	4	2.23	6

# FISH Clamp Saddle

## Clamp Saddle with Compression Joint



### PP Clamp Saddle for used with PE and other Metric polymer pipe

The mechanical fittings for the main pipeline are designed for easy installation using simple tools.

The 63mm clamp saddles feature compression end outlets in 20mm and 25mm sizes, specifically designed for pipeline branches.

Each product is supplied with four bolts, with the option to choose between zinc-plated mild steel bolts and nuts or SS 316 bolts and nuts (available upon request), depending on the application requirements.

Application: Irrigation

#### Specification

Material	Polypropylene Homopolymer
Density	900 kg/m <sup>3</sup>
Tensile Strength at Yield	360 kg/cm <sup>2</sup>
Elongation at Yield	12%
Flexural Modulus	17500 kg/cm <sup>2</sup>
Colour	Black
Reinforcement ring	SS 304
Bolt and nuts	Stainless steel or galvanized
Gasket	Nitrile Butadiene Rubber
Pressure range	PN 16

#### PP Clamp Saddle with Compression Joint

Zinc plated mild steel bolts and nuts	DN [mm]	dn [mm]	d [mm]	l [mm]	Z [mm]	L [mm]	H [mm]	Bolt & Nut (Nos)	Gasket (Nos)	Approx. wt. gm [pc]	Box [qty]	Bag [Qty]
07960120339	63	20	46	45	35	72	102	4	1	248	80	100
07960120338	63	25	55	58	35	72	102	4	1	270	80	100